

Date: _____

Type: _____

Firm: _____

Project: _____

HLE-3-13/18/26

Intelligent LED Fixtures for Hazardous Locations

Product Family Features:

- Flexible controls for fine-tuning of lighting settings
- Wireless compatibility with LightRules® software
- Digital Lumens' signature intelligence — occupancy sensing, daylight sensing, logging of all key energy and occupancy data
- Software-defined coordinated control and progressive dimming maximize occupant comfort and energy savings
- Independently aimable and fully dimmable light bars
- Purpose-built for hazardous locations, requiring Class I Div 2, Class II Div 2, or Class III fixtures



SENSING & CONTROL	
Onboard Intelligence	<ul style="list-style-type: none"> • Built-in sensing with data logging • Energy and fault monitoring • Analog or digital input • Protective temperature monitoring and control
Sensor Inputs	<ul style="list-style-type: none"> • Integrated PIR occupancy sensor • Integrated daylight sensor
Wireless Networking	IEEE 802.15.4 Wireless Mesh
Control Capabilities	<ul style="list-style-type: none"> • Scheduling via LightRules • kWh and occupancy logging • Daylight harvesting
Dimming	<ul style="list-style-type: none"> • 0-100%, continuous • PAR1789-compliant with modulation > 1.25 kHz

ENVIRONMENTAL	
Operating Temp.	-40° to 122° F (-40° to 50° C)
IP Rating ¹	IP65
Photobiological Safety	Exempt group per IEC 62471
Hazardous Location Ratings	<ul style="list-style-type: none"> • Class I Div II – A,B,C,D • Class II Div II – F,G • Class III
Temperature Classification	T4A

CERTIFICATION & WARRANTY	
Certifications	UL 844, UL-MX NOM
Fixture Warranty	10-Year Limited

¹ ⚠️ Maintain 10 ft (3 m) setback from walls open to exterior.
 ⚠️ Clean with mild soap and water only.

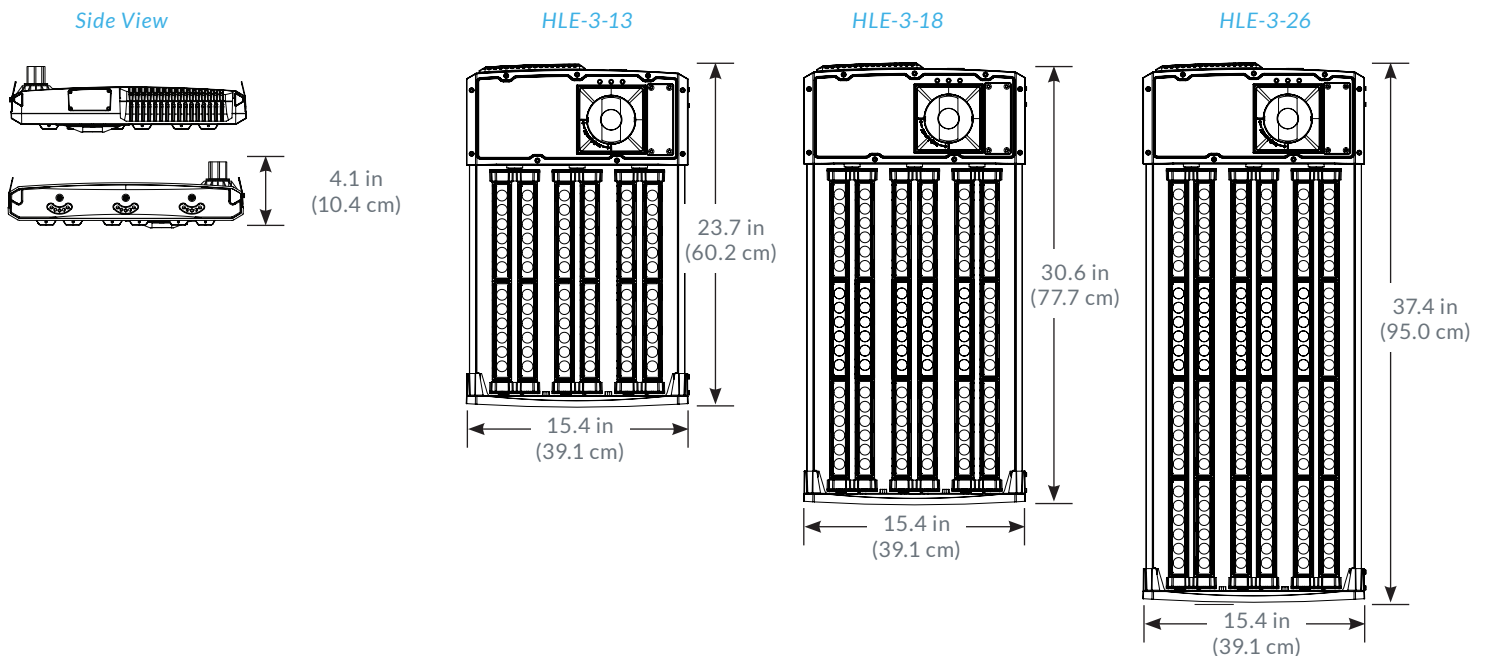
HLE FIXTURE FAMILY SPECIFICATIONS

PERFORMANCE²

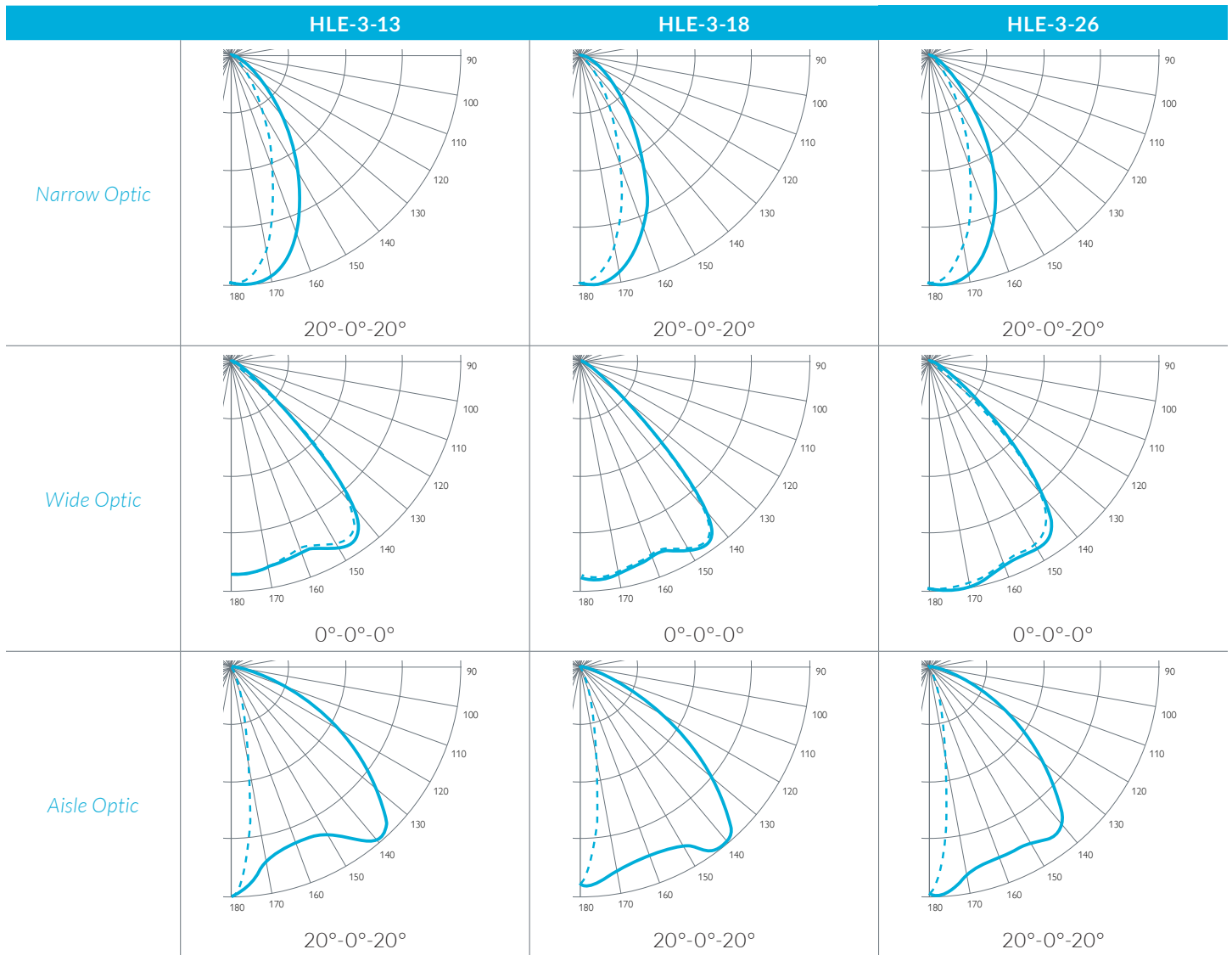
	HLE-3-13	HLE-3-18	HLE-3-26
Lumen Output (Nominal)	14,250 lm	18,870 lm	29,410 lm
Power Consumption (Nominal)	135 W	185 W	288 W
Efficacy ³	102 lm/W	102 lm/W	102 lm/W
Input Ratings ⁴	208-277 V AC, 50/60 Hz, 0.73 A (max)	208-277 V AC, 50/60 Hz, 1.06 A (max)	208-277 V AC, 50/60 Hz, 1.54 A (max)
Color Temperature ⁵	5000 K CCT, 70 CRI (min)		
Unified Glare Rating	20		
Power Factor	0.9 minimum		
Lumen Maintenance ^{6,7} (LM-80) @ 77° F (25° C)	<ul style="list-style-type: none"> • L₇₀ (18K): 103,000 hours • L₇₀ calculated: 120,000 hours • L₈₀ calculated: 78,000 hours • L₉₀ calculated: 40,000 hours 		
Surge Protection	<ul style="list-style-type: none"> • Per IEC 61547 • 1 kV line-line / 2 kV line-earth 		
Wiring	<ul style="list-style-type: none"> • 1/2-inch trade size conduit hub, internal wiring 		

PHYSICAL

	HLE-3-13	HLE-3-18	HLE-3-26
Dimensions (H x W x D)	4.1 x 15.4 x 23.7 in (10.4 x 39.1 x 60.2 cm)	4.1 x 15.4 x 30.6 in (10.4 x 39.1 x 77.7 cm)	4.1 x 15.4 x 37.4 in (10.4 x 39.1 x 94.9 cm)
Weight	15.4 lbs (6.9 kg)	18.0 lbs (8.2 kg)	22.0 lbs (9.9 kg)
Mounting Options	Aircraft Cable or Fixed Mount		
Frame	PC/ABS polymer & anodized aluminum		
Optical Material	Optical grade PC		
Power Enclosure	PC/ABS polymer		



POLAR CANDELA DISTRIBUTION



SPACING CRITERIA

	HLE-3-13	HLE-3-18	HLE-3-26
Optic	Fixed / Adjustable	Fixed / Adjustable	Fixed / Adjustable
Narrow	0.7 / 1.0	0.7 / 1.0	0.7 / 1.0
Wide	1.4 / 1.4	1.5 / 1.5	1.5 / 1.5
Aisle	0.3 / 1.4	0.3 / 1.6	0.3 / 1.4

² Calculated in nominal application environment.

³ Efficacy varies with optic option. See DLC QPL for variant details.

⁴ Voltage ratings may vary for international certifications.

⁵ Nominal CCT, as defined by ANSI C78.377-2008.

⁶ Per LM-79-08 test methods.

⁷ Projected based on TM-21 data. L70 = Time to 70% lumen maintenance. For additional details, refer to the Statement of Lumen Maintenance.

ORDERING INFORMATION* (NORTH AMERICA ONLY)

	<i>HLE-3-13</i>	<i>HLE-3-18</i>	<i>HLE-3-26</i>
<i>Narrow</i>	21320	21420	21520
<i>Wide</i>	22320	22420	22520
<i>Aisle</i>	23320	23420	23520

ACCESSORIES

91110	HLE-3-13 Aircraft Cable Hanging Hardware (for 5 fixtures)
91120	HLE-3-18 Aircraft Cable Hanging Hardware (for 5 fixtures)
91130	ILE-3-26 Aircraft Cable Hanging Hardware (for 5 fixtures)
91122	Fixed Mount Hanging Hdw (for 5 fixtures)
99001	PIR Sensor Mask, ⁹ 10-pack

⁸ Lead times may vary depending on options selected. Consult with your sales representative.

⁹ Fixtures with Wide optics ship without sensor masks.

