

Date:	_____
Type:	_____
Firm:	_____
Project:	_____

CLE B1·D1·F1

Intelligent LED High Bay Fixtures

The CLE fixture family from Digital Lumens offers unparalleled performance and reliability in a broad range of commercial, industrial, and sporting applications. Featuring a value-optimized chassis design and retaining the sensing and communications components of the DLE fixture family, CLE fixtures are high-performance alternatives for uncontrolled LED, fluorescent, and HID high bay fixtures, and are available in light output versions from 12,000 to 24,000 lumens.



CLE-B1·D1·F1

All CLE high bay fixtures feature integrated occupancy and daylight sensors and three optic options to deliver high-quality light and maximum efficiency, flexibility, and control. CLEs are ideal in applications such as manufacturing and ambient warehousing that have challenging economics, while also delivering lighting uniformity and distribution across a variety of workspaces.

Proven to offer superior performance and efficiency in the world's most demanding customer environments, CLEs are wirelessly networked to LightRules® lighting management software for comprehensive reporting and easy management of lighting system settings.

Product Family Features:

- 12,000, 18,000, and 24,000 (nominal) lumen output versions to provide high-quality light distribution.
- Aisle and Diffuse optic options to accommodate a wide range of applications.
- Streamlined, value-optimized steel chassis.
- Wireless connectivity with LightRules for easy reporting and fine tuning of lighting settings anytime, anywhere.
- Software-defined coordinated control and progressive dimming to maximize occupant comfort and savings.
- Integrated power metering, occupancy, and daylight sensing for maximum efficiency.

NORTH AMERICA

www.digitallumens.com
+1 (617) 723-1200

CLE Fixture Family Specifications

SENSING & CONTROL

Onboard Intelligence	<ul style="list-style-type: none"> ◦ Built-in sensing with data logging ◦ Energy and fault monitoring ◦ Protective temperature monitoring and control
Native Sensing	<ul style="list-style-type: none"> ◦ Integrated PIR occupancy sensor ◦ Integrated daylight sensor
Wireless Networking	IEEE 802.15.4 Wireless Mesh
Control Capabilities	<ul style="list-style-type: none"> ◦ Scheduling via LightRules® ◦ kWh and occupancy logging ◦ Daylight harvesting
Dimming	0-100%

ENVIRONMENTAL

Location Rating ¹	UL Damp Location
Operating Temp.	-4° to 122° F (-20° to 50° C)
Humidity	0-95%, non-condensing
Photobiological Safety	RGI per IEC TR 62778

PHYSICAL

Mounting Options	<ul style="list-style-type: none"> ◦ Aircraft Cable ◦ Pendant / Fixed Mount
Fixture Frame	Painted steel
Optic Material	Optical-grade PMMA or PC
Input Ratings ²	<p>Standard Voltage (ST): 120-277 V AC, 50/60 Hz</p> <p>High Voltage (HV): 347-480 V AC, 50/60 Hz</p>

PERFORMANCE

Unified Glare Rating ³	Certification Pending
Lumen Maintenance ^{4,5}	<ul style="list-style-type: none"> ◦ L₇₀ calculated: 120,000 hours ◦ L₈₀ calculated: 73,000 hours ◦ L₉₀ calculated: 31,000 hours
Power Factor	0.9 min
Surge Protection	<ul style="list-style-type: none"> ◦ Per IEC 61547 ◦ 1 kV line-line / 2 kV line-earth

CERTIFICATION

Fixture Certifications	UL/cUL, UL-NOM, FCC Part 15 Class B, CE
------------------------	---

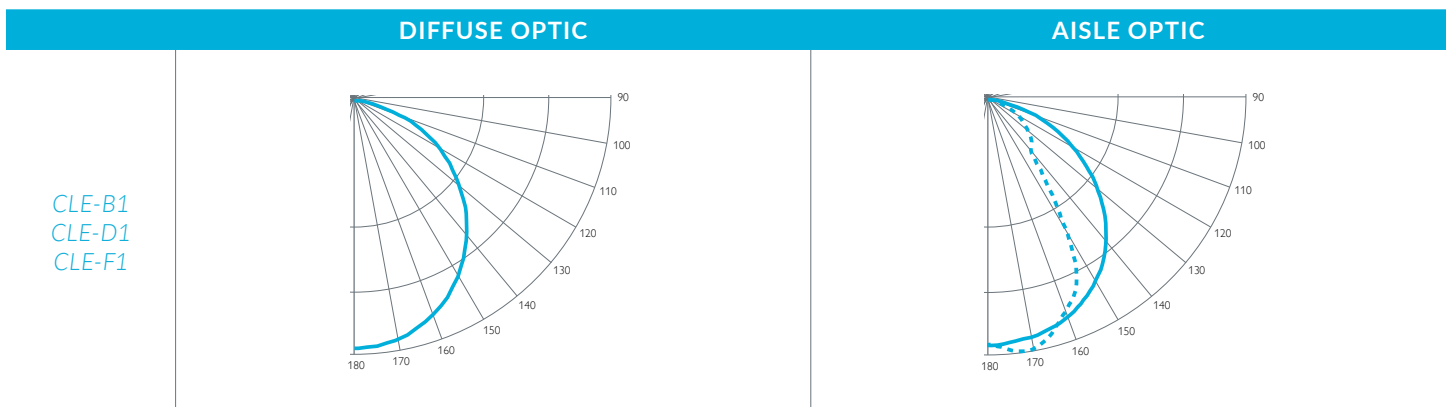
WARRANTY

Fixture Warranty	<ul style="list-style-type: none"> ◦ 5-Year Limited ◦ 10-Year Limited (Optional)
------------------	--

ACCESSORIES

DHHAS	Aircraft Cable Hanging Hardware, 5-pack
CHHRM	Fixed Mount Hanging Hardware, 5-pack
CLESM⁶	PIR Sensor Mask, 10-pack
CLE10YW	10-Year Limited Warranty (Optional)

Polar Candela Distribution



¹ ⚠ Clean with mild soap and damp cloth only.

⚠ Maintain 10 ft (3 m) setback from walls open to exterior.

² Input ratings may vary for international certifications.

³ Calculated in nominal application environment.

⁴ Per LM-79-08 test methods.

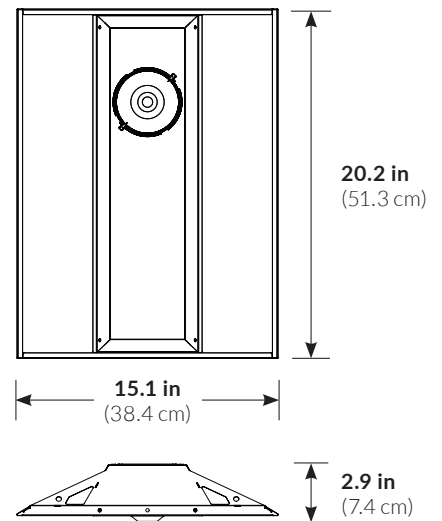
⁵ Projected based on TM-21 data. L70 = Time to 70% lumen maintenance. For details, refer to the Statement of Lumen Maintenance.

⁶ Fixtures with Diffuse optics ship without sensor masks.

CLE-B1

PERFORMANCE		
Color Temperature ⁷	5,000 K CCT	4,000 K CCT
Lumen Output (nominal) ⁸	11,778 lm	10,480 lm
Power Consumption (nominal)	78 W @ 277 VAC	78 W @ 277 VAC
Efficacy ⁹	151 lm/W	134 lm/W
CRI	80 min, 82 typ	80 min, 82 typ

PHYSICAL	
Dimensions (H x W x D)	20.2 x 15.1 x 2.9 in (51.3 x 38.4 x 7.4 cm)
Weight	8.4 lbs (3.8 kg)



CLE-D1

PERFORMANCE		
Color Temperature ⁷	5,000 K CCT	4,000 K CCT
Lumen Output (nominal) ⁸	17,695 lm	15,720 lm
Power Consumption (nominal)	114 W @ 277 VAC	114 W @ 277 VAC
Efficacy ⁹	155 lm/W	137 lm/W
CRI	80 min, 82 typ	80 min, 82 typ

PHYSICAL	
Dimensions (H x W x D)	20.2 x 15.1 x 2.9 in (51.3 x 38.4 x 7.4 cm)
Weight	9.4 lbs (4.3 kg)

CLE-F1

PERFORMANCE		
Color Temperature ⁷	5,000 K CCT	4,000 K CCT
Lumen Output (nominal) ⁸	23,490 lm	20,320 lm
Power Consumption (nominal)	147 W @ 277 VAC	148 W @ 277 VAC
Efficacy ⁹	160 lm/W	137 lm/W
CRI	80 min, 82 typ	80 min, 82 typ

PHYSICAL	
Dimensions (H x W x D)	20.2 x 15.1 x 2.9 in (51.3 x 38.4 x 7.4 cm)
Weight	9.4 lbs (4.3 kg)

⁷ Nominal CCT, as defined by ANSI C78.377-2008.

⁸ Diffuse Optic

⁹ Efficacy values vary with optic option.

CLE Fixture Ordering Information

The table below provides guidelines for encoding item numbers when ordering CLE fixtures. When ordering, specify a fixture part number using the combined lumen output, voltage, optic, and CRI/CCT character codes.

Note: For short/standard lead times, select options in **bold**.

Fixture		Voltage	Optic	CRI/CCT
CLE	-B1	-ST Standard Voltage (120-277 V AC)	-A Aisle	-850 80 CRI, 82 Typ / 5000 K CCT
	-D1	-HV High Voltage (347-480 V AC)	-D Diffuse	-840 80 CRI, 82 Typ / 4000 K CCT
	-F1			

CLE Fixture One-for-One Replacement Guide

The tables below list typical legacy lighting variants and the corresponding CLE fixtures suitable for one-for-one replacement.

	Current/Original Fixture:	CLE Replacement (Open Areas):	CLE Replacement (Aisles):
Linear Flourescent	4LT8	CLE-B1-ST-D	CLE-B1-ST-A
	6LT8	CLE-B1-ST-D	CLE-B1-ST-A
	4LT5HO	CLE-D1-ST-D	CLE-D1-ST-A
	8LT8	CLE-D1-ST-D	CLE-D1-ST-A
	6LT5HO	CLE-F1-ST-D	CLE-F1-ST-A
	8LT5HO	CLE-F1-ST-D	CLE-F1-ST-A
HID	175 W Metal Halide	CLE-B1-ST-D	CLE-B1-ST-A
	250 W Metal Halide	CLE-D1-ST-D	CLE-D1-ST-A
	400 W Metal Halide	CLE-F1-ST-D	CLE-F1-ST-A

