

DLA-R

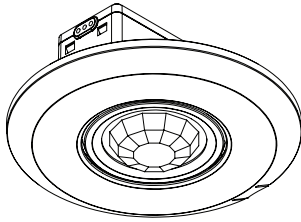
Recessed-Mount Digital Light Agent™

Add Intelligence to Any Fixture

Digital Light Agents are multi-strategy adaptive lighting controls that make any light, from any manufacturer, intelligent.

The DLA family delivers:

- Maximum energy savings via integrated sensing and software optimization
- Performance validation with utility-grade energy metering
- A real-time stream of actionable facility usage and environmental data



DLA-R

The DLA-R brings wireless sensing and control to any fixture or group of fixtures via an unobtrusive and easily mounted recessed form factor. Designed to be installed on a junction box or through a ceiling tile, the DLA-R blends invisibly into any environment.

FEATURES

Compact and Flexible

- Quick & easy installation into drop ceilings or junction boxes

Intelligent Control

- Adaptively manages light levels and energy usage through integrated occupancy sensing, temperature sensing and wireless networking
- Dramatically reduce energy consumption, while gaining additional operational visibility via occupancy and usage patterns

Task Tuning & Scheduling

- Adjust lighting settings based on individual area or personnel requirements from the convenience of a web browser
- Manage lighting settings based on facility schedule on a day-by-day, week-by-week or month-by-month basis

Dynamic Light Management

- Daylight Harvesting — Ambient light sensor automatically dims the fixture 0-100% based on the amount of ambient light detected
- Light Tuning — Dynamically alter light levels based on environmental changes or facility lighting changes over time

Date: _____

Type: _____

Firm: _____

Project: _____

ELECTRICAL

Input Voltage	12 – 24 VDC
Power Consumption	0.5 W
Connections	DALI

PHYSICAL

Dimensions (H x W x D)	1.9 x 4.6 x 4.6 in (4.8 x 11.6 x 11.6 cm)
Weight	5.0 oz (140 g)
Enclosure	PC/ABS Polymer
Mounting	(2x) fasteners, backing plate

ENVIRONMENTAL

IP Rating	IP40
Operating Temperature	-22° to 122° F (-30° to 50°C)
Operating Humidity	0 to 95%, non-condensing

CERTIFICATION & WARRANTY

Certifications	UL, cUL, CE, FCC Part 15 Class B, CISPR 22 (Pending: UL-NOM, C-Tick)
Warranty	5-year Limited Warranty

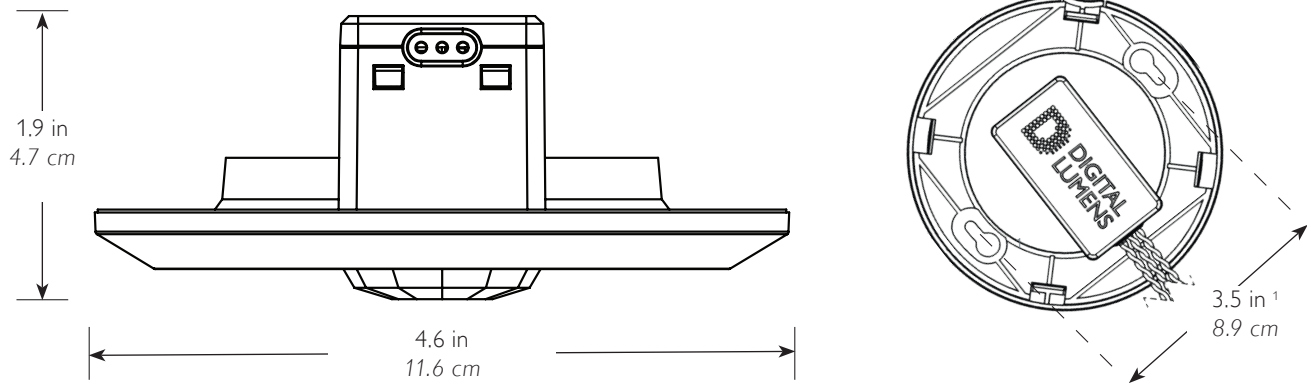
SENSING & CONTROL

Onboard Intelligence	<ul style="list-style-type: none"> ◦ Distributed sensing and control ◦ Facility usage and environmental data logging
Sensor Capabilities	<ul style="list-style-type: none"> ◦ Occupancy (PIR) ◦ Digital ambient light
Dimming Levels	<ul style="list-style-type: none"> ◦ Dim range based on driver ◦ 0-10 V dimming and switching (when used with DLA adapter) ◦ DALI-compatible
Device Limit	Up to (4x) DLA adapters, or (4x) DALI drivers
Wireless Networking	IEEE 802.15.4

ORDERING

Part Number	DLA-R-D
-------------	---------

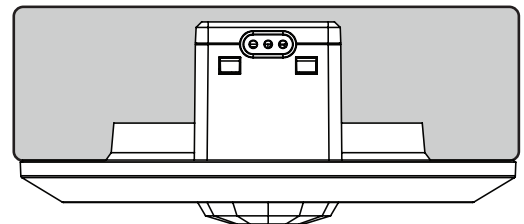
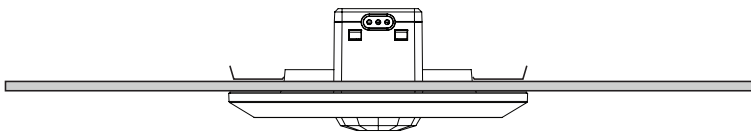
DIMENSIONS



BASIC ASSEMBLY

Ceiling Mount

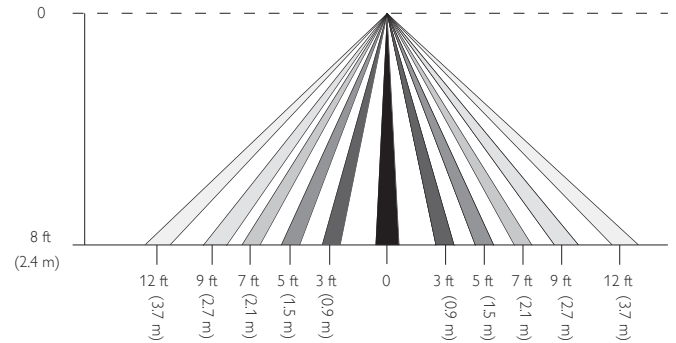
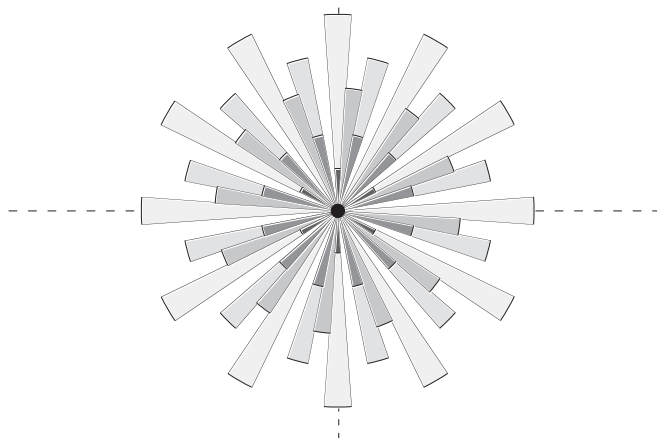
Junction Box Mount



SENSOR COVERAGE

Top View

Side View²

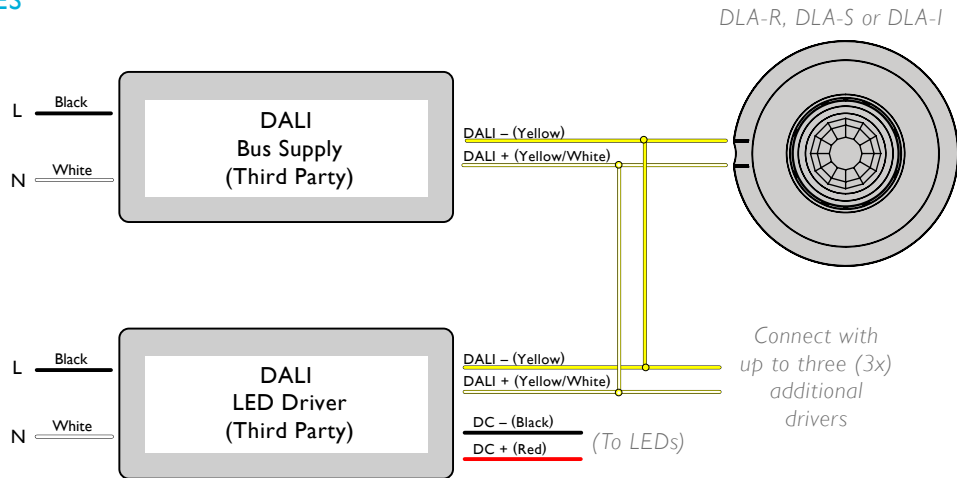


¹ Distance required to match standard 4-inch round junction box.

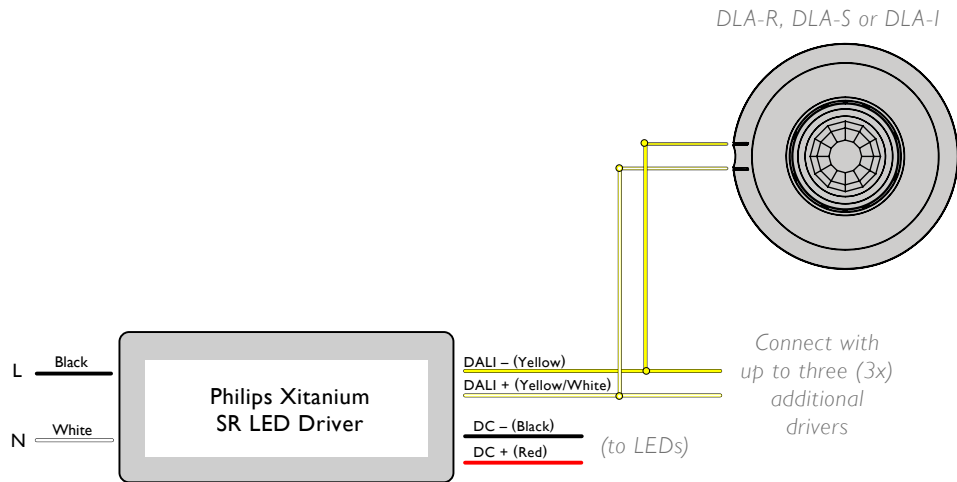
² Maximum mounting height: 20 ft (6 m)

WIRING EXAMPLES

DALI Wiring



Philips® SR Wiring



0-10 VDC Wiring

