

## DLA-I

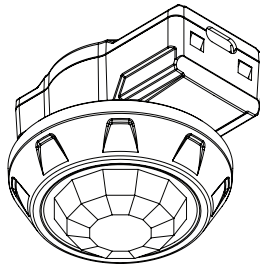
### Fixture-Integrated Digital Light Agent™

#### Add Intelligence to Any Fixture

Digital Light Agents are multi-strategy adaptive lighting controls that make any light, from any manufacturer, intelligent.

The DLA family delivers:

- Maximum energy savings via integrated sensing and software optimization
- Performance validation with utility-grade energy metering
- A real-time stream of actionable facility usage and environmental data



DLA-I

The DLA-I brings wireless sensing and control to any fixture, without external enclosures or connections. Designed to be integrated directly into third-party fixtures, the DLA-I makes any fixture intelligent.

### FEATURES

#### Compact and Flexible

- Integrates directly into any third-party fixture — the housing mounts inside the fixture and the sensor lens extends externally

#### Intelligent Control

- Adaptively manages light levels and energy usage through integrated occupancy sensing, temperature sensing and wireless networking
- Dramatically reduce energy consumption, while gaining additional operational visibility via occupancy and usage patterns

#### Task Tuning & Scheduling

- Adjust lighting settings based on individual area or personnel requirements from the convenience of a web browser
- Manage lighting settings based on facility schedule on a day-by-day, week-by-week or month-by-month basis

#### Dynamic Light Management

- Daylight Harvesting — Ambient light sensor automatically dims the fixture 0-100% based on the amount of ambient light detected
- Light Tuning — Dynamically alter light levels based on environmental changes or facility lighting changes over time

Date: \_\_\_\_\_

Type: \_\_\_\_\_

Firm: \_\_\_\_\_

Project: \_\_\_\_\_

### ELECTRICAL

Input Voltage	12 – 24 VDC
Power Consumption	0.5 W
Connections	DALI

### PHYSICAL

Dimensions (HxWxD)	1.8 x 2.8 x 2.4 in (4.6 x 7.0 x 6.2 cm)
Weight	5.0 oz (140 g)
Enclosure	PC/ABS Polymer
Mounting	Housing mounted within fixture; sensor lens assembly is external

### ENVIRONMENTAL

IP Rating	IP65 (when installed within appropriate fixture housing)
Operating Temperature	-22° to 122°F (-30° to 50°C)
Operating Humidity	0 to 95%, non-condensing

### CERTIFICATION & WARRANTY

Certifications	UL, cUL, CE, FCC Part 15 Class B, CISPR 22 (Pending: UL-NOM, C-Tick)
Warranty	5-year Limited Warranty

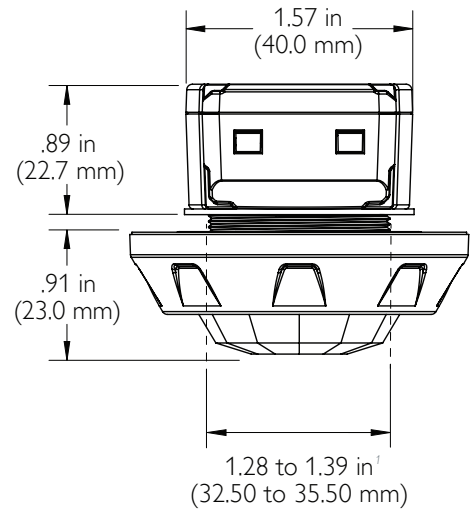
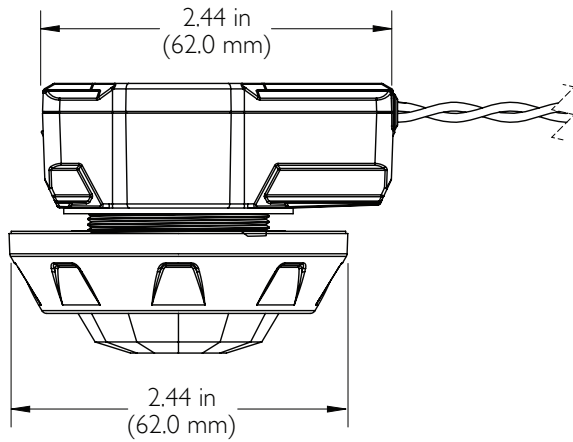
### SENSING & CONTROL

Onboard Intelligence	<ul style="list-style-type: none"> <li>◦ Distributed sensing and control</li> <li>◦ Facility usage and environmental data logging</li> </ul>
Sensor Capabilities	<ul style="list-style-type: none"> <li>◦ Occupancy (PIR)</li> <li>◦ Digital Ambient Light</li> </ul>
Dimming Levels	<ul style="list-style-type: none"> <li>◦ Dim range based on driver</li> <li>◦ 0-10V dimming and switching when used with DLA adapter</li> <li>◦ DALI-compatible</li> </ul>
Device Limit	Up to (4x) DLA adapters, or (4x) DALI drivers
Wireless Networking	IEEE 802.15.4

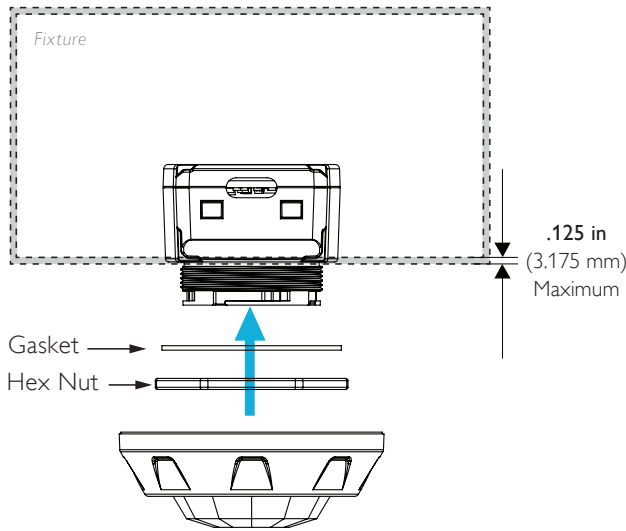
### ORDERING

Part Number	DLA-I-D
-------------	---------

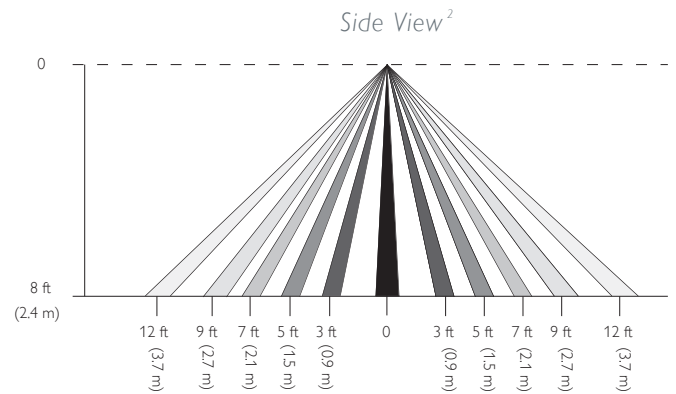
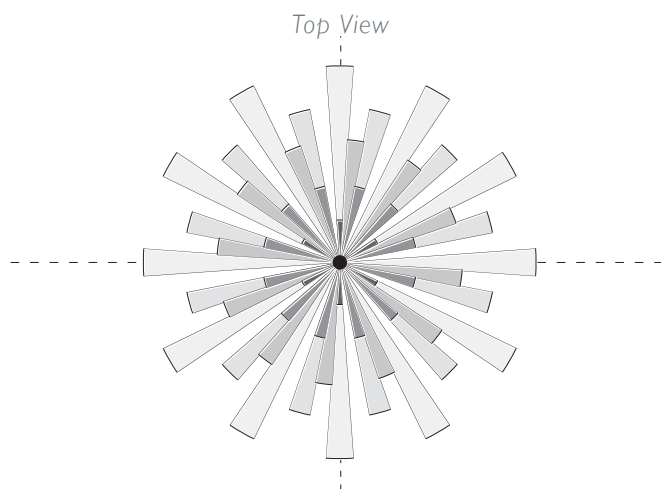
DIMENSIONS



BASIC ASSEMBLY



SENSOR COVERAGE

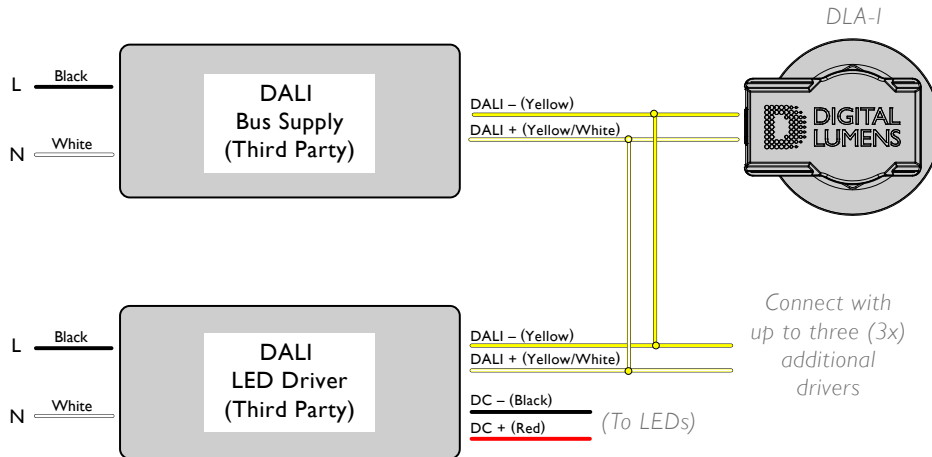


<sup>1</sup> DLA-I mounting hole diameter.

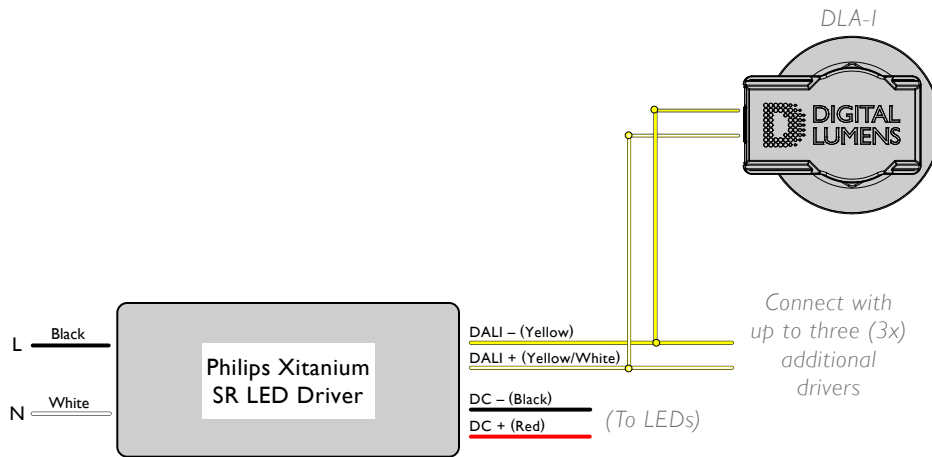
<sup>2</sup> Maximum mounting height: 20 ft (6 m)

WIRING EXAMPLES

DALI Wiring



Philips® SR Wiring



0-10 VDC Wiring

