

DLA-E

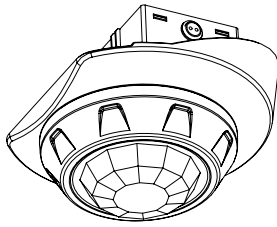
Digital Light Agent™ for Philips EvoKit SR

Add Intelligence to Any Fixture

Digital Light Agents™ are multi-strategy adaptive lighting controls that make any light, from any manufacturer, intelligent.

The DLA family delivers:

- Maximum energy savings via integrated sensing and software optimization
- Performance validation with utility-grade energy metering
- A real-time stream of actionable facility usage and environmental data



DLA-E

The DLA-E brings wireless sensing and control to the Philips EvoKit SR line of retrofit kits. Designed specifically to install in the sensor mounting slot on the EvoKit SR retrofit kit, the DLA-E makes Digital Lumens integration easy and practically labor-free.

FEATURES

Compact and Flexible

- Quick & easy installation into drop ceilings or junction boxes

Intelligent Control

- Adaptively manages light levels and energy usage through integrated occupancy sensing, temperature sensing and wireless networking
- Dramatically reduce energy consumption, while gaining additional operational visibility via occupancy and usage patterns

Task Tuning & Scheduling

- Adjust lighting settings based on individual area or personnel requirements from the convenience of a web browser
- Manage lighting settings based on facility schedule on a day-by-day, week-by-week, or month-by-month basis

Dynamic Light Management

- Daylight Harvesting — Ambient light sensor automatically dims the fixture 5-100% based on the amount of ambient light detected
- Light Tuning — Dynamically alter light levels based on environmental changes or facility lighting changes over time

Date: _____

Type: _____

Firm: _____

Project: _____

ELECTRICAL

Input Voltage	12 – 24 VDC
Power Consumption	0.5 W
Connections	DALI

PHYSICAL

Dimensions (H x W x D)	1.9 x 4.6 x 4.6 in (4.8 x 11.6 x 11.6 cm)
Weight	5.0 oz (140 g)
Enclosure	PC/ABS Polymer
Mounting	EvoKit SR Sensor Mounting Slot

ENVIRONMENTAL

IP Rating	IP40
Operating Temperature	-22° to 122° F (-30° to 50°C)
Operating Humidity	0 to 95%, non-condensing

CERTIFICATION & WARRANTY

Certifications	UL, cUL, CE, FCC Part 15 Class B, CISPR 22 (Pending: UL-NOM, C-Tick)
Warranty	5-year Limited Warranty

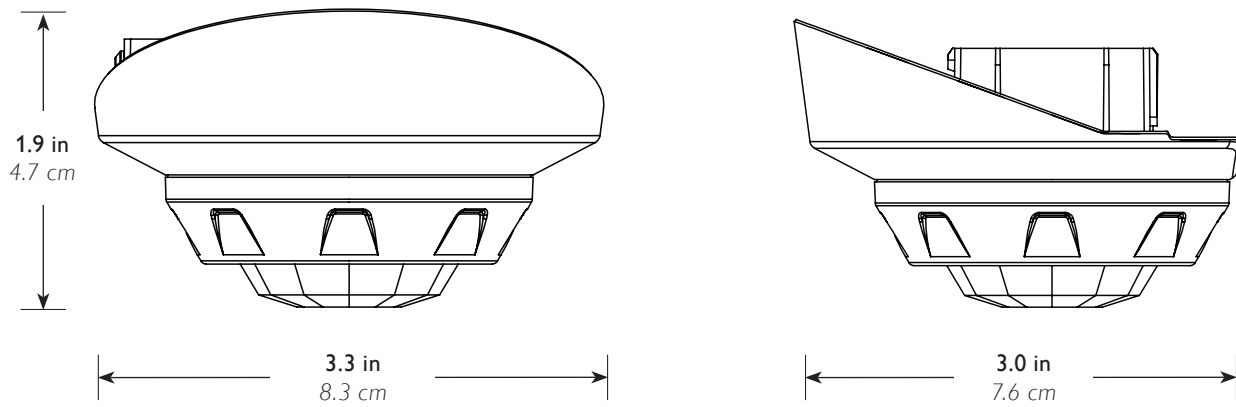
SENSING & CONTROL

Onboard Intelligence	◦ Distributed sensing and control; ◦ Facility usage and environmental data logging
Sensor Capabilities	◦ Occupancy (PIR), ◦ Digital ambient light
Dimming Levels	5% - 100% based on driver
Device Limit	1 Philips EvoKit SR
Wireless Networking	IEEE 802.15.4

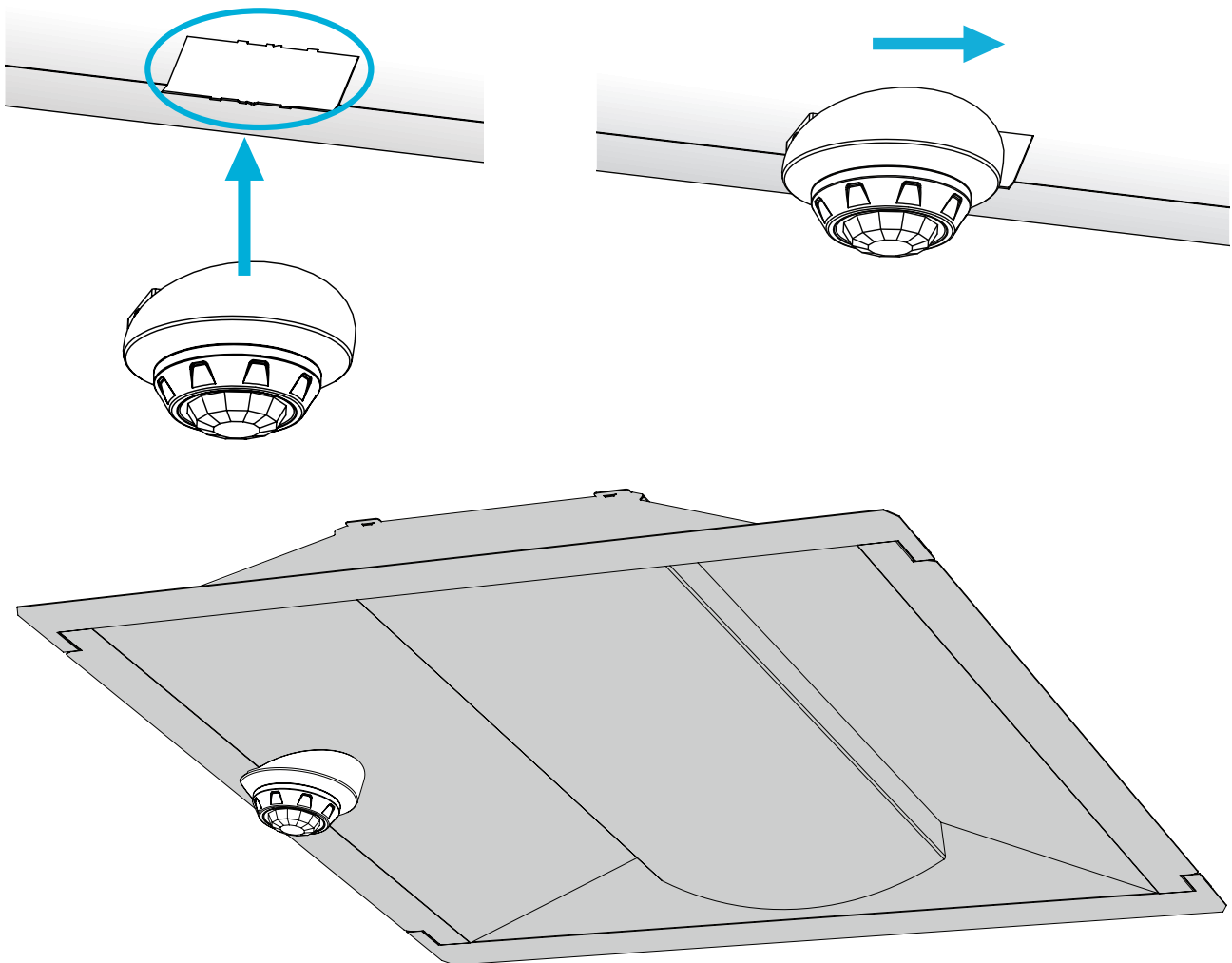
ORDERING

Part Number	DLA-E-D
-------------	---------

DIMENSIONS

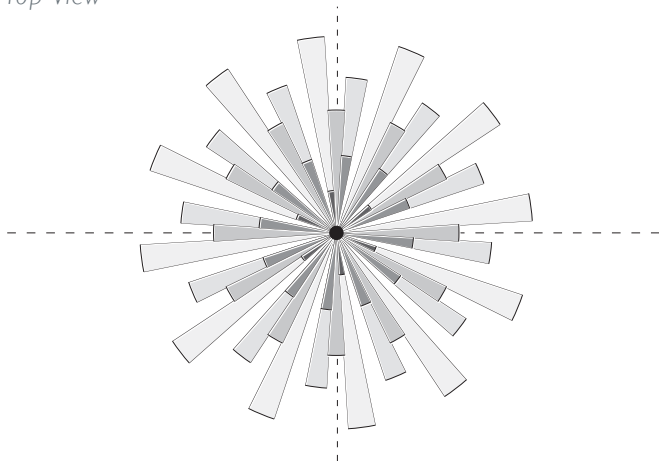


BASIC ASSEMBLY

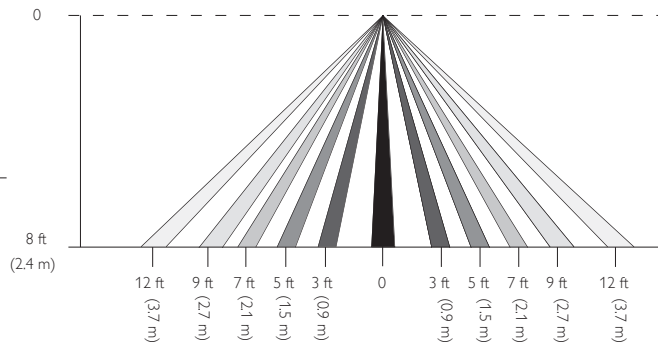


SENSOR COVERAGE

Top View

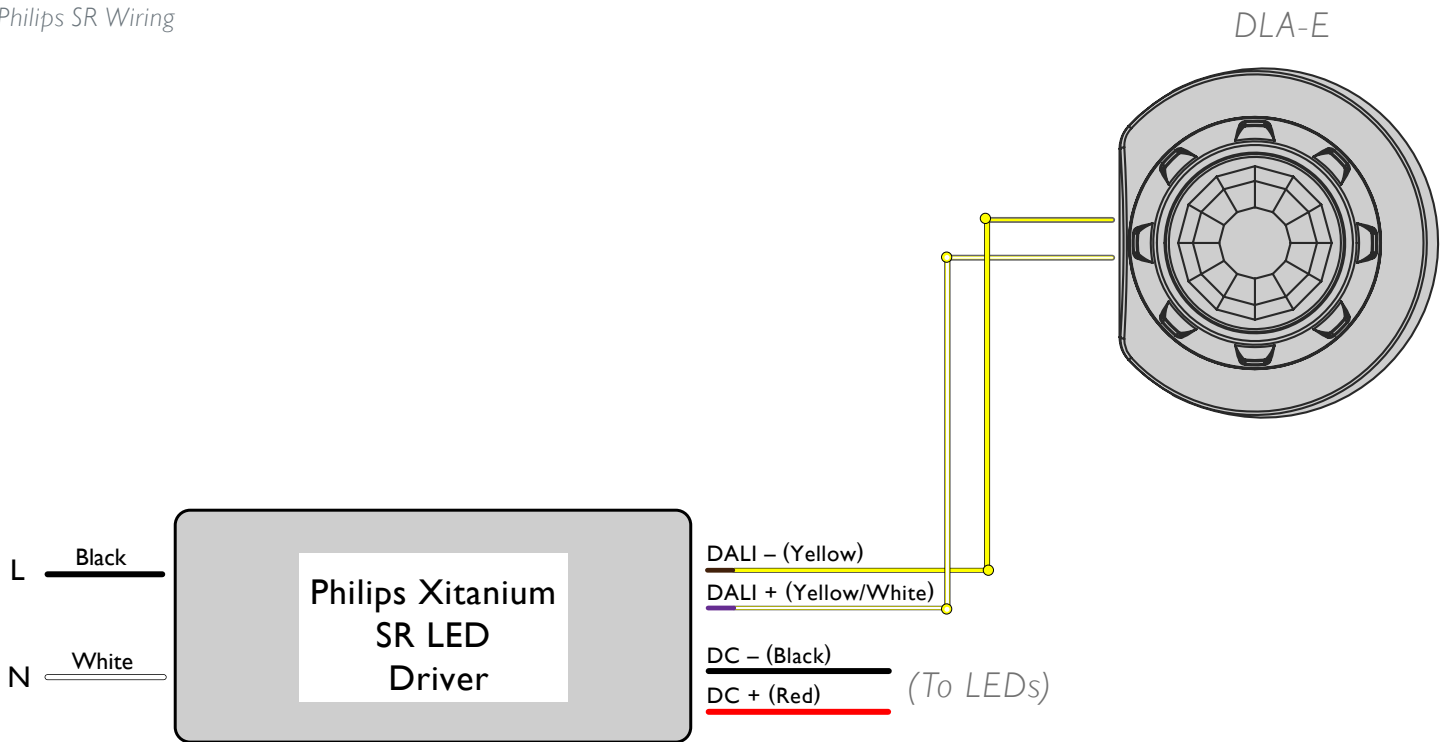


Side View ¹



WIRING EXAMPLE

Philips SR Wiring



¹ Maximum mounting height: 20 ft (6 m)

