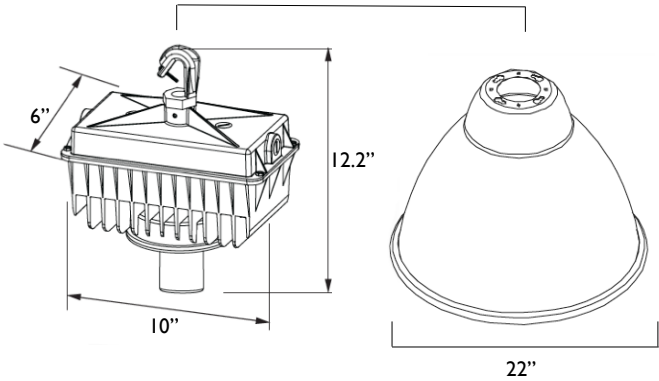


HIGHBAY.DL
 All products feature Noribachi's exclusive Bespoke Engineered and Specifically Tailored (BEST) manufacturing methodology.

| | |
|--------------|-------|
| CATALOG #: | TYPE: |
| PROJECT: | |
| COMMENTS: | DATE: |
| PREPARED BY: | |

PRODUCT



Product Information

The Highbay.DL is a durable, highly efficient indoor LED lighting solution.

This LED lighting fixture features a die-cast aluminum housing with a powdercoat finish.

Applications: Manufacturing Floors, Transportation, Warehouses and a variety of other indoor lighting applications.

Performance Summary

Lumens Range: 35,448lm-53,172lm
 Lumens Per Watt (Typical): 141
 Light Engine: L70 Rated Lifetime of 100,000+ hours.
 CRI: Minimum 70 CRI. Custom CRI available upon request.
 CCT (Typical): 3000K, 4000K, 5700K
 Manufactured in the U.S. with parts from U.S. and imported.

Fixture Information

Housing: White / Custom
 Dome (Standard): Acrylic
 Lens: Optional / None
 Mounting: Hook
 Diffusion: Reflector

Specifications*

Length: 10"
 Width: 6"
 Height: 12.2"
 Reflector Diameter: 22"

*Specifications are subject to change without notification.

Electrical System Characteristics / Data

Standard AC input: 120-277 VAC
 EMI filter: 47CFR, part 2, part 15
 Power factor: > 0.9
 Total harmonic distortion: < 20%
 Surge protection: IEC/EN 61000-4-5 EMC test standard

Electrical characteristics and performance data verified by Nationally Recognized Testing Labs (NRTL). For full reports and results, visit www.noribachi.com/reports.

| Ordering Information | | | | | | |
|---|---------------|--|---------|-------------------|---|---------------------------------------|
| Sample Catalog Number: HEX-252-B-WW-MT-HBDL | | | | | | |
| LIGHT ENGINE | DRIVE CURRENT | COLOR TEMPERATURE | VOLTAGE | FIXTURE CODE | OPTIONAL UPGRADES | OPTIONAL BEAM SPREAD |
| HEX-168 HEX-210 HEX-252 | B B B | CW – COOL WHITE (5700K TYPICAL) NW – NEUTRAL WHITE (4000K TYPICAL) WW – WARM WHITE (3000K TYPICAL) | MT | HBDL – HIGHBAY.DL | HV1 – 480V UP TO 150W HV2 – 480V GREATER THAN 150W HV3 – 480V GREATER THAN 300W EM – EMERGENCY BATTERY BACKUP, 5W, 600 LUMENS, 90 MINUTES* EMC – EMERGENCY BATTERY BACKUP, COLD 23W, 2000, 90 MINUTES* CORD6 – 6' 16/3 600V STW CORD L515 – L515P 120V TWIST LOCK PLUG L615 – L615P 240V TWIST LOCK PLUG L715 – L715P 277V TWIST LOCK PLUG L720 – L20P 277V TWIST LOCK PLUG L820 – L820P 480V TWIST LOCK PLUG L830 – L830P 480V TWIST LOCK PLUG OS – OCCUPANCY SENSOR LENS – LENS ALUM – ALUMINIUM DOME OPTION WG – WIRE GUARD DHS – DAYLIGHT HARVEST SENSOR COL [RAL] – CUSTOM FIXTURE COLOR COAT – MARINE GRADE FIXTURE COATING EPOXY – EPOXY COATING SGR1 – 100 -277V SURGE PROTECTOR SGR2 – 480V SURGE PROTECTOR O10V – 1-10V DIMMING FUNCTIONALITY STEP – STEP DIMMING FUNCTIONALITY *MUST PROVIDE EXACT VOLTAGE REQUIREMENT | 80D – OPTIONAL 80° BEAM SPREAD |

Warranty: Five-Year Limited Warranty. Optional 10-Year Manufacturer's Warranty Available. Full Warranty Terms Available At www.noribachi.com/products/warranty

WHEN APPROVED, THE SPECIFICATIONS OUTLINED IN THIS SPEC SHEET SHALL BECOME THE SPECIFICATION FOR THE MATERIAL TO BE DELIVERED BY NORIBACHI ON THE CITED PROJECT. AN AMENDED SPEC SHEET CAN BE PROVIDED BUT ONLY AFTER WRITTEN APPROVAL BY THE CUSTOMER IS RECEIVED. THIS DOCUMENT IS THE PROPERTY OF NORIBACHI AND CAN ONLY BE USED IN CONNECTION WITH MATERIALS FURNISHED BY NORIBACHI. ©2015



HIGHBAY.DL
 All products feature Noribachi's exclusive Bespoke Engineered and Specifically Tailored (BEST) manufacturing methodology.

| | |
|--------------|-------|
| CATALOG #: | TYPE: |
| PROJECT: | |
| COMMENTS: | DATE: |
| PREPARED BY: | |

ELECTRICAL

Construction

Heavy-duty die-cast aluminum housing, powdercoat finish over a chromate on version coating. Acrylic Dome Standard with Optional Aluminum Dome (ALUM) available. Optional Wire Guard (WG) and Bottom Lens (LENS) available.

Optics

High brightness, high efficiency LEDs. Color temperature options include Cool White (5700K typical), Neutral White (4000K typical) Warm White (3000K typical) with minimum 70 CRI. Custom RGBW colors available. 120° beam angle standard. Optional 80° beam angle available.

Controls

Controls include 480V for up to 150W light engines (HV1), 480V for 150W-299W light engines (HV2) 480V for greater than 300W light engines (HV3). 100-722V (SGR1) and 480V (SGR2) Surge Protectors. 0-10V (010V) and Step (STEP) Dimming functionality. Occupancy (OS) and Daylight Harvest Sensors (DHS). Emergency Battery Backup (EM) and Emergency Battery Backup, Cold (EMC).

Mounting

Hook mounting available for this fixture.

Driver

Available in B drive current (525 mA). Highly reliable. Suitable for dry, damp and wet locations. Compliant to worldwide safety regulations for lighting.

Testing Compliance

UL 1598 Issued: 2008/09/17 Ed:3 Rev:2012/10/17 UL Standard for Safety Luminaires CSA C22.2#250.0 Issued: 2008/09/17 Ed:3 Luminaires; General Instruction No.1 2010/01/11, General Instruction No. 2 2012/10/17.

Electrical System

Surge protection meets 10KV/5KA per ANSI/IEEE62.41. Driver meets maximum harmonic distortion (THD) of 20% and is ROHS compliant. Power Factor = > 0.9.

Ambient Temperature

-40°C to +65°C (-40°F to + 149°F).

| Electrical Load | | | | | |
|-----------------|-------|---------------------------|---------------------------|---------------------------|-----------------------|
| LIGHT ENGINE | DRIVE | DRIVE CURRENT (AMPS@120V) | DRIVE CURRENT (AMPS@277V) | DRIVE CURRENT (AMPS@480V) | SYSTEM POWER* (WATTS) |
| HEX-168 | B | 2.12 | 0.92 | 0.53 | 254.72 |
| HEX-210 | B | 2.66 | 1.15 | 0.67 | 319.50 |
| HEX-252 | B | 3.21 | 1.39 | 0.80 | 384.72 |
| *Ideal Wattage | | | | | |

| Operating Characteristics (Typical @5700K CCT) | | | | | |
|--|-------|-------------|---------------------|-----------------|------------|
| LIGHT ENGINE | DRIVE | LUMENS (T5) | INPUT POWER (WATTS) | LUMENS PER WATT | REPLACES |
| HEX-168 | B | 39,878 | 254.72 | 138.92 | 725-1200W |
| HEX-210 | B | 44,308 | 319.50 | 138.68 | 1000-1450W |
| HEX-252 | B | 53,170 | 384.72 | 138.20 | 1250-1700W |

Manufacturing

Manufactured in beautiful Harbor City, CA. ARRA Compliant. NAFTA Compliant. Test and burn-in of 100% of all luminaires before shipment. No less than 8-years experience in manufacturing LED-based products.

Note

Specifications subject to change without notice. Actual performance may differ as a result of end-user environment application. Actual wattage may differ by +/- 8%.

WHEN APPROVED, THE SPECIFICATIONS OUTLINED IN THIS SPEC SHEET SHALL BECOME THE SPECIFICATION FOR THE MATERIAL TO BE DELIVERED BY NORIBACHI ON THE CITED PROJECT. AN AMENDED SPEC SHEET CAN BE PROVIDED BUT ONLY AFTER WRITTEN APPROVAL BY THE CUSTOMER IS RECEIVED. THIS DOCUMENT IS THE PROPERTY OF NORIBACHI AND CAN ONLY BE USED IN CONNECTION WITH MATERIALS FURNISHED BY NORIBACHI. ©2015



HIGHBAY.DL
 All products feature Noribachi's exclusive Bespoke Engineered and Specifically Tailored (BEST) manufacturing methodology.

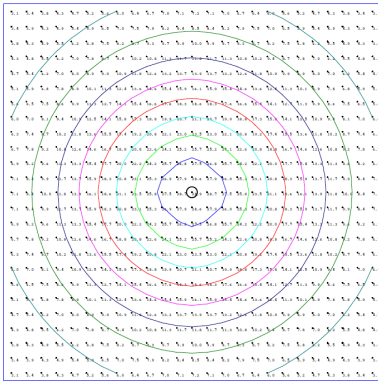
| | |
|--------------|-------|
| CATALOG #: | TYPE: |
| PROJECT: | |
| COMMENTS: | DATE: |
| PREPARED BY: | |

PERFORMANCE / DISTRIBUTION

| Power And Lumens By Light Engine | | | | | | | |
|----------------------------------|-------|------|-------------|-------------|-------------|-------------|-------------|
| DISTRIBUTION | | | | | | | |
| LIGHT ENGINE | DRIVE | CCT | T1 (LUMENS) | T2 (LUMENS) | T3 (LUMENS) | T4 (LUMENS) | T5 (LUMENS) |
| HEX-168 | B | 5700 | N/A | N/A | N/A | N/A | 35,448 |
| HEX-210 | B | 5700 | N/A | N/A | N/A | N/A | 44,310 |
| HEX-252 | B | 5700 | N/A | N/A | N/A | N/A | 53,172 |

**Type Distribution
 HEX-252**

T-5



Distribution

- 120° Standard Beam Spread.
- 80° Optional Beam Spread Available.
- Other Light Engine Type Distribution available upon request.

- IES Type Distributions are generated in an open space.
- Light Distribution images are mounted at 10 feet.

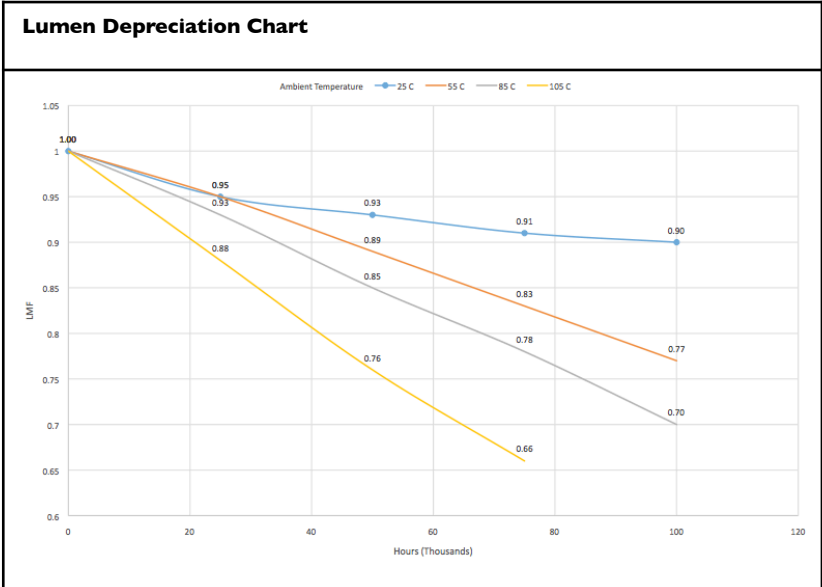
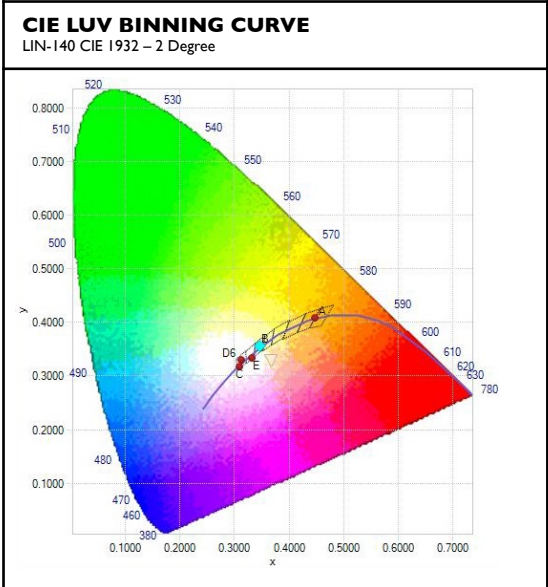
WHEN APPROVED, THE SPECIFICATIONS OUTLINED IN THIS SPEC SHEET SHALL BECOME THE SPECIFICATION FOR THE MATERIAL TO BE DELIVERED BY NORIBACHI ON THE CITED PROJECT. AN AMENDED SPEC SHEET CAN BE PROVIDED BUT ONLY AFTER WRITTEN APPROVAL BY THE CUSTOMER IS RECEIVED. THIS DOCUMENT IS THE PROPERTY OF NORIBACHI AND CAN ONLY BE USED IN CONNECTION WITH MATERIALS FURNISHED BY NORIBACHI. ©2015



HIGHBAY.DL
 All products feature Noribachi's exclusive Bespoke Engineered and Specifically Tailored (BEST) manufacturing methodology.

| | |
|--------------|-------|
| CATALOG #: | TYPE: |
| PROJECT: | |
| COMMENTS: | DATE: |
| PREPARED BY: | |

PERFORMANCE / DISTRIBUTION



Lumen Maintenance Factors (B Drive)

| AMBIENT | INITIAL LMF | 25K HR PROJECTED LMF | 50K HR PROJECTED LMF | 75K HR PROJECTED LMF | 100K HR PROJECTED LMF |
|---------|-------------|----------------------|----------------------|----------------------|-----------------------|
| 25°C | 1.00 | 0.95 | 0.93 | 0.91 | 0.90 |
| 55°C | 1.00 | 0.95 | 0.89 | 0.83 | 0.77 |
| 85°C | 1.00 | 0.93 | 0.85 | 0.78 | 0.70 |
| 105°C | 1.00 | 0.88 | 0.76 | 0.66 | n/a |

Each temperature has an independent initial value. In accordance with IESNA TM021011, Projected Values represent interpolated value based on time durations that are within six times (6X) the IESNA LM-80-08 total test duration (in hours) for the device under testing (DUT) i.e. the packaged LED chip). In accordance with IESNA TM-21-11, Calculated Values represent time durations that exceed six times (6X) the IESNA LM-80-08 total test duration (in hours) for the device under testing (DUT) i.e. the packaged LED chip)

Lumen Multiplier

| AMBIENT TEMPERATURE | LUMEN MULTIPLIER |
|---------------------|------------------|
| 10°C | 1.032 |
| 15°C | 1.021 |
| 25°C | 1.000 |
| 40°C | 0.968 |
| 50°C | 0.946 |

WHEN APPROVED, THE SPECIFICATIONS OUTLINED IN THIS SPEC SHEET SHALL BECOME THE SPECIFICATION FOR THE MATERIAL TO BE DELIVERED BY NORIBACHI ON THE CITED PROJECT. AN AMENDED SPEC SHEET CAN BE PROVIDED BUT ONLY AFTER WRITTEN APPROVAL BY THE CUSTOMER IS RECEIVED. THIS DOCUMENT IS THE PROPERTY OF NORIBACHI AND CAN ONLY BE USED IN CONNECTION WITH MATERIALS FURNISHED BY NORIBACHI. ©2015



HIGHBAY.DL
 All products feature Noribachi's exclusive Bespoke Engineered and Specifically Tailored (BEST) manufacturing methodology.

| | |
|--------------|-------|
| CATALOG #: | TYPE: |
| PROJECT: | |
| COMMENTS: | DATE: |
| PREPARED BY: | |

OPTIONAL UPGRADES

For additional optional upgrades, please contact your Noribachi Account Manager.

EMERGENCY BATTERY BACKUP
ORDER CODE: EM
 Appearance And Specifications:
 •Rain Tight For Outdoor Use
 •5W, 600 Lumens, 90 Minutes
 •Must provide exact voltage requirements in order code



EMERGENCY BATTERY BACKUP COLD
ORDER CODE: EMC
 Appearance And Specifications:
 •23V, 2000 Lumens, 90 Minutes
 •Must provide exact voltage requirements on order code



DIMMING
ORDER CODE: 010V
ORDER CODE: STEP
ORDER CODE: BLD
 Appearance And Specifications:
 •010V = 1 – 10V Dimming Functionality
 •STEP = Step Dimming Functionality
 •BLD = Bi-Level Dimming Functionality
 *Compatibility not guaranteed for any particular dimmable light in any particular installation.



SURGE PROTECTOR
ORDER CODE: SGR1
ORDER CODE: SGR2
 Appearance And Specifications:
 •100V - 120V Surge Protector
 •480V Surge Protector



LENS
ORDER CODE: LENS
 Appearance And Specifications:
 •Flat glass



DAYLIGHT HARVEST SENSOR
ORDER CODE: DHS
 Appearance And Specifications:
 •Enables daylight regulations and dimming when no presence is detected
 •Delay time between 1 and 30 minutes



480V FOR UP TO 150W LIGHT ENGINES
ORDER CODE: HV1



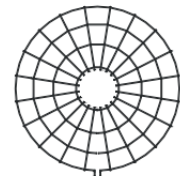
480V FOR GREATER THAN 150W LIGHT ENGINES
ORDER CODE: HV2



480V FOR GREATER THAN 300W LIGHT ENGINES
ORDER CODE: HV3



WIRE GUARD
ORDER CODE: WG
 Appearance And Specifications:
 •Steel



WHEN APPROVED, THE SPECIFICATIONS OUTLINED IN THIS SPEC SHEET SHALL BECOME THE SPECIFICATION FOR THE MATERIAL TO BE DELIVERED BY NORIBACHI ON THE CITED PROJECT. AN AMENDED SPEC SHEET CAN BE PROVIDED BUT ONLY AFTER WRITTEN APPROVAL BY THE CUSTOMER IS RECEIVED. THIS DOCUMENT IS THE PROPERTY OF NORIBACHI AND CAN ONLY BE USED IN CONNECTION WITH MATERIALS FURNISHED BY NORIBACHI. ©2015



HIGHBAY.DL
 All products feature Noribachi's exclusive Bespoke Engineered and Specifically Tailored (BEST) manufacturing methodology.

| | |
|--------------|-------|
| CATALOG #: | TYPE: |
| PROJECT: | |
| COMMENTS: | DATE: |
| PREPARED BY: | |

OPTIONAL UPGRADES

6' 16/3 STW CORD
ORDER CODE: CORD6
 Appearance And Specifications:
 •Cords must be purchased with plugs
 •Black jacket
 •Water resistant
 •*Image for reference only



L515P 125V TWIST LOCK PLUG
ORDER CODE: L515
 Appearance And Specifications:
 •125V
 •NEMA L5-15P
 •Nickel plated brass/blades contacts
 •UL/CSA



L615P 250V TWIST LOCK PLUG
ORDER CODE: L615
 Appearance And Specifications:
 •250V
 •NEMA L6-15P
 •Nickel plated brass/blades contact
 •UL/CSA



L715P 277V TWIST LOCK PLUG
ORDER CODE: L715
 Appearance And Specifications:
 •277V
 •NEMA L7-15P
 •Nickel plated brass/blades contacts
 •UL/CSA



L720P 277V TWIST LOCK PLUG
ORDER CODE: L720
 Appearance And Specifications:
 •277V
 •NEMA L7-20P
 •Nickel plated brass/blades contacts
 •UL/CSA



L820P 480V TWIST LOCK PLUG
ORDER CODE: L820
 Appearance And Specifications:
 •480V
 •NEMA L8-20P
 •Nickel plated brass/blades contacts
 •UL/CSA



L830P 480V TWIST LOCK PLUG
ORDER CODE: L830
 Appearance And Specifications:
 •480V
 •NEMA L8-30P
 •Nickel plated brass/blades contacts
 •UL/CSA



OCCUPANCY SENSOR
ORDER CODE: OS
 Appearance And Specifications:
 •Compact design
 •Polycarbonate, flame retardant
 •UV and impact resistant



WHEN APPROVED, THE SPECIFICATIONS OUTLINED IN THIS SPEC SHEET SHALL BECOME THE SPECIFICATION FOR THE MATERIAL TO BE DELIVERED BY NORIBACHI ON THE CITED PROJECT. AN AMENDED SPEC SHEET CAN BE PROVIDED BUT ONLY AFTER WRITTEN APPROVAL BY THE CUSTOMER IS RECEIVED. THIS DOCUMENT IS THE PROPERTY OF NORIBACHI AND CAN ONLY BE USED IN CONNECTION WITH MATERIALS FURNISHED BY NORIBACHI. ©2015



HIGHBAY.DL
 All products feature Noribachi's exclusive Bespoke Engineered and Specifically Tailored (BEST) manufacturing methodology.

| | |
|--------------|-------|
| CATALOG #: | TYPE: |
| PROJECT: | |
| COMMENTS: | DATE: |
| PREPARED BY: | |

OPTIONAL UPGRADES

CUSTOM FIXTURE COLOR
ORDER CODE: COL-[RAL]
 Appearance And Specifications:
 •Choose a custom color for your fixture.
 •RAL color code must be provided.



MARINE GRADE FIXTURE COATING
ORDER CODE: COAT
 Appearance And Specifications:
 •Add a Marine Grade coating to your fixture.
 •Coating appearance is green.



EPOXY COATING
ORDER CODE: EPOXY
 Appearance And Specifications:
 •Add epoxy coating to your fixture.



ALUMINUM DOME OPTION
ORDER CODE: ALUM
 Appearance And Specifications:
 •Aluminum



WHEN APPROVED, THE SPECIFICATIONS OUTLINED IN THIS SPEC SHEET SHALL BECOME THE SPECIFICATION FOR THE MATERIAL TO BE DELIVERED BY NORIBACHI ON THE CITED PROJECT. AN AMENDED SPEC SHEET CAN BE PROVIDED BUT ONLY AFTER WRITTEN APPROVAL BY THE CUSTOMER IS RECEIVED. THIS DOCUMENT IS THE PROPERTY OF NORIBACHI AND CAN ONLY BE USED IN CONNECTION WITH MATERIALS FURNISHED BY NORIBACHI. ©2015

