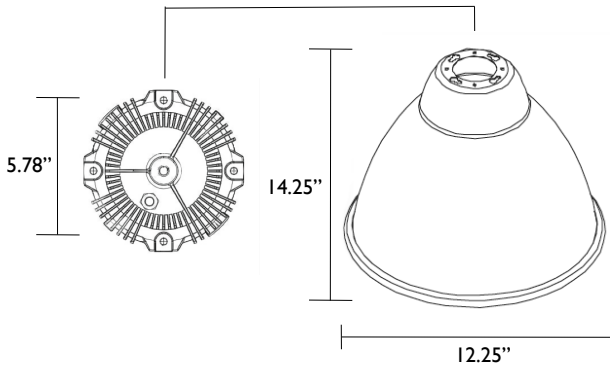


HIGHBAY.A

All products feature Noribachi's exclusive Bespoke Engineered and Specifically Tailored (BEST) manufacturing methodology.

PRODUCT



CATALOG #:	TYPE:
PROJECT:	
COMMENTS:	DATE:
PREPARED BY:	

Product Information

The Highbay.A is a heavy-duty, multi-functional, energy-efficient LED lighting solution.

This LED lighting fixture features rounded aluminum housing and easy mounting connection.

Applications: Manufacturing Facilities, Offices, Warehouses and a variety of other indoor lighting applications.

Performance Summary

Lumens Range: 13,293 lm – 17,723 lm
 Lumens Per Watt (Typical): 141
 Light Engine: L70 Rated Lifetime of 100,000+ hours.
 CRI: Minimum 70 CRI. Custom CRI available upon request.
 CCT (Typical): 3000K, 4000K, 5700K
 Manufactured in the U.S. with parts from U.S. and imported.

Fixture Information

Housing: Standard Aluminum Dome
 Lens: None
 Mounting: Eye Hook
 Diffusion: None

Specifications*

Power Supply Height: 1.78"
 Power Supply Diameter: 5.78
 Reflector Height: 14.25"
 Reflector Diameter: 16"
 Weight: 9.00 lbs

* Specifications are subject to change without notification.

Electrical System Characteristics / Data

Standard AC input: 120-277 VAC
 EMI filter: 47CFR, part 2, part 15
 Power factor: > 0.9
 Total harmonic distortion: < 20%
 Surge protection: IEC/EN 61000-4-5 EMC test standard

Electrical characteristics and performance data verified by Nationally Recognized Testing Labs (NRTL). For full reports and results, visit www.noribachi.com/reports.

Ordering Information Sample Catalog Number: HEX-084-B-WW-MT-HBA						
LIGHT ENGINE	DRIVE CURRENT	COLOR TEMPERATURE	VOLTAGE	FIXTURE CODE	OPTIONAL UPGRADES	OPTIONAL BEAM SPREAD
HEX-063 HEX-084	B B	CW – COOL WHITE (5700K TYPICAL) NW – NEUTRAL WHITE (4000K TYPICAL) WW – WARM WHITE (3000K TYPICAL)	MT	HBA – HIGHBAY.A	CORD6 – 6' 16/3 600V STW CORD L515 – L515P 120V TWIST LOCK PLUG L615 – L615P 240V TWIST LOCK PLUG L715 – L715P 277V TWIST LOCK PLUG L720 – L20P 277V TWIST LOCK PLUG L820 – L820P 480V TWIST LOCK PLUG L830 – L830P 480V TWIST LOCK PLUG OS – OCCUPANCY SENSOR LENS – LENS ADDER MAT – MATTE DOME ACRYLIC – ACRYLIC DOME FR – FROSTED LENS WG – WIRE GUARD DHS – DAYLIGHT HARVEST SENSOR COL [RAL] – CUSTOM FIXTURE COLOR COAT – MARINE GRADE FIXTURE COATING EPOXY – EPOXY COATING SGR1 – 100 -277V SURGE PROTECTOR 010V – 1-10V DIMMING FUNCTIONALITY STEP – STEP DIMMING FUNCTIONALITY BLD – BI-LEVEL DIMMING FUNCTIONALITY *MUST PROVIDE EXACT VOLTAGE REQUIREMENT	80D – OPTIONAL 80° BEAM SPREAD

Warranty:

Five-Year Limited Warranty. Optional 10-Year Manufacturer's Warranty Available. Full Warranty Terms Available At www.noribachi.com/products/warranty

WHEN APPROVED, THE SPECIFICATIONS OUTLINED IN THIS SPEC SHEET SHALL BECOME THE SPECIFICATION FOR THE MATERIAL TO BE DELIVERED BY NORIBACHI ON THE CITED PROJECT. AN AMENDED SPEC SHEET CAN BE PROVIDED BUT ONLY AFTER WRITTEN APPROVAL BY THE CUSTOMER IS RECEIVED. THIS DOCUMENT IS THE PROPERTY OF NORIBACHI AND CAN ONLY BE USED IN CONNECTION WITH MATERIALS FURNISHED BY NORIBACHI. ©2015



HIGHBAY.A
 All products feature Noribachi's exclusive Bespoke Engineered and Specifically Tailored (BEST) manufacturing methodology.

CATALOG #:	TYPE:
PROJECT:	
COMMENTS:	DATE:
PREPARED BY:	

ELECTRICAL

Construction

Heavy-duty round aluminum housing with powdercoat finish. Optional Lens (LENS) Frosted Lens (FR) and Wire Guard (WG) available.

Optics

High brightness, high efficiency LEDs. Color temperature options include Cool White (5700K typical), Neutral White (4000K typical) Warm White (3000K typical) with minimum 70 CRI. Custom RGBW colors available. 120° beam angle standard. Optional 80° beam angle available.

Controls

Control options include Emergency Battery Backup (EM) and Emergency Battery Backup, Cold (EMC). 100-722V (SGR1) and 480V (SGR2) Surge Protectors. 0-10V (010V), Step (STEP) and Bi-level (BLD) Dimming functionality. Daylight Harvest (DHS) and Occupancy Sensors (OS).

Mounting

Eye-hook mounting available for this fixture.

Driver

Available in B drive current (525 mA). Highly reliable. Suitable for dry, damp and wet locations. Compliant to worldwide safety regulations for lighting.

Testing Compliance

UL 1598 Issued: 2008/09/17 Ed:3 Rev:2012/10/17 UL Standard for Safety Luminaires CSA C22.2#250.0 Issued: 2008/09/17 Ed:3 Luminaires; General Instruction No.1 2010/01/11, General Instruction No. 2 2012/10/17.

Electrical System

Surge protection meets 10KV/5KA per ANSI/IEEE62.41. Driver meets maximum harmonic distortion (THD) of 20% and is ROHS compliant. Power Factor = > 0.9.

Ambient Temperature

-40°C to +65°C (-40°F to + 149°F).

Electrical Load					
LIGHT ENGINE	DRIVE	DRIVE CURRENT (AMPS@120V)	DRIVE CURRENT (AMPS@277V)	DRIVE CURRENT (AMPS@480V)	SYSTEM POWER* (WATTS)
HEX-063	B	0.79	0.34	0.20	94.70
HEX-084	B	1.05	0.46	0.26	126.48
*Ideal Wattage					

Operating Characteristics (Typical @5700K CCT)					
LIGHT ENGINE	DRIVE	LUMENS (T5)	INPUT POWER (WATTS)	LUMENS PER WATT	REPLACES
HEX-063	B	13,293	94.70	140.37	200-400W
HEX-084	B	17,723	126.48	140.13	300-525W

Manufacturing

Manufactured in beautiful Harbor City, CA. ARRA Compliant. NAFTA Compliant. Test and burn-in of 100% of all luminaries before shipment. No less than 8-years experience in manufacturing LED-based products.

Note

Specifications subject to change without notice. Actual performance may differ as a result of end-user environment application. Actual wattage may differ by +/- 8%.

WHEN APPROVED, THE SPECIFICATIONS OUTLINED IN THIS SPEC SHEET SHALL BECOME THE SPECIFICATION FOR THE MATERIAL TO BE DELIVERED BY NORIBACHI ON THE CITED PROJECT. AN AMENDED SPEC SHEET CAN BE PROVIDED BUT ONLY AFTER WRITTEN APPROVAL BY THE CUSTOMER IS RECEIVED. THIS DOCUMENT IS THE PROPERTY OF NORIBACHI AND CAN ONLY BE USED IN CONNECTION WITH MATERIALS FURNISHED BY NORIBACHI. ©2015



HIGHBAY.A
 All products feature Noribachi's exclusive Bespoke Engineered and Specifically Tailored (BEST) manufacturing methodology.

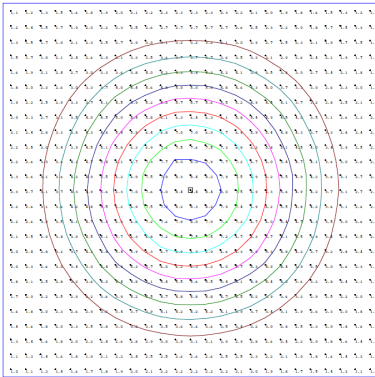
CATALOG #:	TYPE:
PROJECT:	
COMMENTS:	DATE:
PREPARED BY:	

PERFORMANCE / DISTRIBUTION

Power And Lumens By Light Engine							
DISTRIBUTION							
LIGHT ENGINE	DRIVE	CCT	T1 (LUMENS)	T2 (LUMENS)	T3 (LUMENS)	T4 (LUMENS)	T5 (LUMENS)
HEX-063	B	5700	N/A	N/A	N/A	N/A	13,293
HEX-084	B	5700	N/A	N/A	N/A	N/A	17,724

**Type Distribution
 HEX-084**

T-5



Distribution

- 120° Standard Beam Spread.
- 80° Optional Beam Spread Available.
- Other Light Engine Type Distribution available upon request.

- IES Type Distributions are generated in an open space.
- Light Distribution images are mounted at 10 feet.

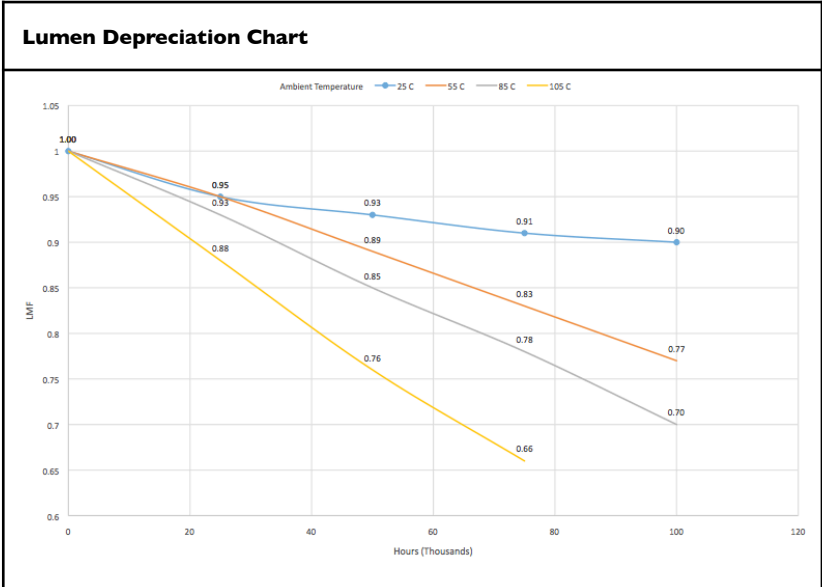
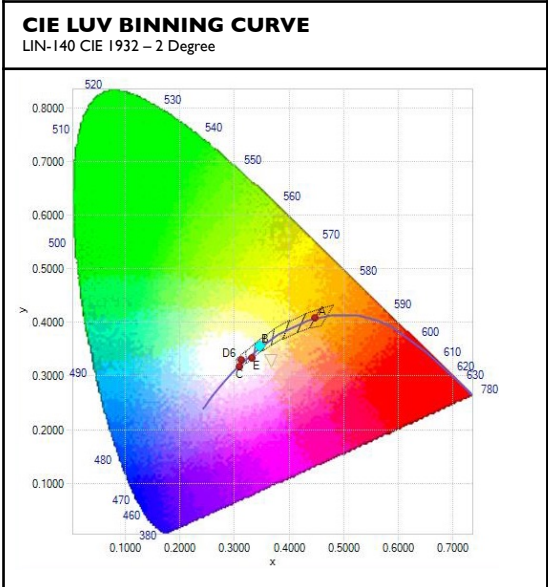
WHEN APPROVED, THE SPECIFICATIONS OUTLINED IN THIS SPEC SHEET SHALL BECOME THE SPECIFICATION FOR THE MATERIAL TO BE DELIVERED BY NORIBACHI ON THE CITED PROJECT. AN AMENDED SPEC SHEET CAN BE PROVIDED BUT ONLY AFTER WRITTEN APPROVAL BY THE CUSTOMER IS RECEIVED. THIS DOCUMENT IS THE PROPERTY OF NORIBACHI AND CAN ONLY BE USED IN CONNECTION WITH MATERIALS FURNISHED BY NORIBACHI. ©2015



HIGHBAY.A
 All products feature Noribachi's exclusive Bespoke Engineered and Specifically Tailored (BEST) manufacturing methodology.

CATALOG #:	TYPE:
PROJECT:	
COMMENTS:	DATE:
PREPARED BY:	

PERFORMANCE / DISTRIBUTION



Lumen Maintenance Factors (B Drive)

AMBIENT	INITIAL LMF	25K HR PROJECTED LMF	50K HR PROJECTED LMF	75K HR PROJECTED LMF	100K HR PROJECTED LMF
25°C	1.00	0.95	0.93	0.91	0.90
55°C	1.00	0.95	0.89	0.83	0.77
85°C	1.00	0.93	0.85	0.78	0.70
105°C	1.00	0.88	0.76	0.66	n/a

Each temperature has an independent initial value. In accordance with IESNA TM021011, Projected Values represent interpolated value based on time durations that are within six times (6X) the IESNA LM-80-08 total test duration (in hours) for the device under testing (DUT) i.e. the packaged LED chip). In accordance with IESNA TM-21-11, Calculated Values represent time durations that exceed six times (6X) the IESNA LM-80-08 total test duration (in hours) for the device under testing (DUT) i.e. the packaged LED chip)

Lumen Multiplier

AMBIENT TEMPERATURE	LUMEN MULTIPLIER
10°C	1.032
15°C	1.021
25°C	1.000
40°C	0.968
50°C	0.946

WHEN APPROVED, THE SPECIFICATIONS OUTLINED IN THIS SPEC SHEET SHALL BECOME THE SPECIFICATION FOR THE MATERIAL TO BE DELIVERED BY NORIBACHI ON THE CITED PROJECT. AN AMENDED SPEC SHEET CAN BE PROVIDED BUT ONLY AFTER WRITTEN APPROVAL BY THE CUSTOMER IS RECEIVED. THIS DOCUMENT IS THE PROPERTY OF NORIBACHI AND CAN ONLY BE USED IN CONNECTION WITH MATERIALS FURNISHED BY NORIBACHI. ©2015



HIGHBAY.A
 All products feature Noribachi's exclusive Bespoke Engineered and Specifically Tailored (BEST) manufacturing methodology.

CATALOG #:	TYPE:
PROJECT:	
COMMENTS:	DATE:
PREPARED BY:	

OPTIONAL UPGRADES

For additional optional upgrades, please contact your Noribachi Account Manager.

ACRYLIC DOME HOUSING
ORDER CODE: ACRYLIC
 Appearance And Specifications:
 •Acrylic dome



MATTE DOME HOUSING
ORDER CODE: MAT
 Appearance And Specifications:
 •Matte aluminum dome



DAYLIGHT HARVEST SENSOR
ORDER CODE: DHS
 Appearance And Specifications:
 •Enables daylight regulations and dimming when no presence is detected
 •Delay time between 1 and 30 minutes



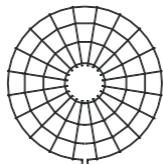
DIMMING
ORDER CODE: 010V
ORDER CODE: STEP
 Appearance And Specifications:
 •010V = 1 – 10V Dimming Functionality
 •STEP = Step Dimming Functionality
 *Compatibility not guaranteed for any particular dimmable light in any particular installation.



FROSTED LENS
ORDER CODE: FR
 Appearance And Specifications:
 •Frosted treatment applied to optional lens



WIRE GUARD
ORDER CODE: WG
 Appearance And Specifications:
 •Steel Wire



OCCUPANCY SENSOR
ORDER CODE: OS
 Appearance And Specifications:
 •Compact design
 •Polycarbonate, flame retardant
 •UV and impact resistant



LENS
ORDER CODE: LENS
 Appearance And Specifications:
 •Clear Prismatic Acrylic Lens



WHEN APPROVED, THE SPECIFICATIONS OUTLINED IN THIS SPEC SHEET SHALL BECOME THE SPECIFICATION FOR THE MATERIAL TO BE DELIVERED BY NORIBACHI ON THE CITED PROJECT. AN AMENDED SPEC SHEET CAN BE PROVIDED BUT ONLY AFTER WRITTEN APPROVAL BY THE CUSTOMER IS RECEIVED. THIS DOCUMENT IS THE PROPERTY OF NORIBACHI AND CAN ONLY BE USED IN CONNECTION WITH MATERIALS FURNISHED BY NORIBACHI. ©2015



HIGHBAY.A
 All products feature Noribachi's exclusive Bespoke Engineered and Specifically Tailored (BEST) manufacturing methodology.

CATALOG #:	TYPE:
PROJECT:	
COMMENTS:	DATE:
PREPARED BY:	

OPTIONAL UPGRADES

6' 16/3 STW CORD
ORDER CODE: CORD6
 Appearance And Specifications:
 •Cords must be purchased with plugs
 •Black jacket
 •Water resistant
 •*Image for reference only



L515P 125V TWIST LOCK PLUG
ORDER CODE: L515
 Appearance And Specifications:
 •125V
 •NEMA L5-15P
 •Nickel plated brass/blades contacts
 •UL/CSA



L615P 250V TWIST LOCK PLUG
ORDER CODE: L615
 Appearance And Specifications:
 •250V
 •NEMA L6-15P
 •Nickel plated brass/blades contact
 •UL/CSA



L715P 277V TWIST LOCK PLUG
ORDER CODE: L715
 Appearance And Specifications:
 •277V
 •NEMA L7-15P
 •Nickel plated brass/blades contacts
 •UL/CSA



L720P 277V TWIST LOCK PLUG
ORDER CODE: L720
 Appearance And Specifications:
 •277V
 •NEMA L7-20P
 •Nickel plated brass/blades contacts
 •UL/CSA



L820P 480V TWIST LOCK PLUG
ORDER CODE: L820
 Appearance And Specifications:
 •480V
 •NEMA L8-20P
 •Nickel plated brass/blades contacts
 •UL/CSA



L830P 480V TWIST LOCK PLUG
ORDER CODE: L830
 Appearance And Specifications:
 •480V
 •NEMA L8-30P
 •Nickel plated brass/blades contacts
 •UL/CSA



EPOXY COATING
ORDER CODE: EPOXY
 Appearance And Specifications:
 •Add epoxy coating to your fixture.



WHEN APPROVED, THE SPECIFICATIONS OUTLINED IN THIS SPEC SHEET SHALL BECOME THE SPECIFICATION FOR THE MATERIAL TO BE DELIVERED BY NORIBACHI ON THE CITED PROJECT. AN AMENDED SPEC SHEET CAN BE PROVIDED BUT ONLY AFTER WRITTEN APPROVAL BY THE CUSTOMER IS RECEIVED. THIS DOCUMENT IS THE PROPERTY OF NORIBACHI AND CAN ONLY BE USED IN CONNECTION WITH MATERIALS FURNISHED BY NORIBACHI. ©2015



HIGHBAY.A
 All products feature Noribachi's exclusive Bespoke Engineered and Specifically Tailored (BEST) manufacturing methodology.

CATALOG #:	TYPE:
PROJECT:	
COMMENTS:	DATE:
PREPARED BY:	

OPTIONAL UPGRADES

CUSTOM FIXTURE COLOR
ORDER CODE: COL-[RAL]
 Appearance And Specifications:
 •Choose a custom color for your fixture.
 •RAL color code must be provided.



MARINE GRADE FIXTURE COATING
ORDER CODE: COAT
 Appearance And Specifications:
 •Add a Marine Grade coating to your fixture.
 •Coating appearance is green.



SURGE PROTECTOR
ORDER CODE: SGR1
 Appearance And Specifications:
 •100V -120V Surge Protector
 •480V Surge Protector



WHEN APPROVED, THE SPECIFICATIONS OUTLINED IN THIS SPEC SHEET SHALL BECOME THE SPECIFICATION FOR THE MATERIAL TO BE DELIVERED BY NORIBACHI ON THE CITED PROJECT. AN AMENDED SPEC SHEET CAN BE PROVIDED BUT ONLY AFTER WRITTEN APPROVAL BY THE CUSTOMER IS RECEIVED. THIS DOCUMENT IS THE PROPERTY OF NORIBACHI AND CAN ONLY BE USED IN CONNECTION WITH MATERIALS FURNISHED BY NORIBACHI. ©2015

